

# LPC-P215WZ-4DRM

21.5" P-cap Android Panel PC, RK3288, 2GB DDR3 DRAM, 16GB eMMC, Dual 3W Speaker, DC 12V Power Input



## Features

- ▶ RK3288 Processor
- ▶ 21.5" 1920\*1080 LCD
- ▶ 2GB DDR3 DRAM, up to 4GB
- ▶ 16GB eMMC on board
- ▶ Speaket Inside
- ▶ Optional WiFi/BT Module
- ▶ DC 12V Power Input, Optional POEModule

## System

Processor	RK3288 Processor, QC Cortex-A17, up to 1.6GHz
System Memory	2GB DDR3 DRAM, up to 4GB
External I/O Port	2 x USB 2.0 Type A 1 x Micro-USB (OTG) 1 x Mini-HDMI 1 x RJ45 GbE LAN 2 x RJ45 RS-232 1 x Headset + MIC 1 x SPDIF
KeyPad	Vol+ \ Vol- \ Up \ Down \ Exit/Enter
Storage	16GB eMMC onBoard 1 x Micro SD Card (SDHC Class10 compatible)
Camera	Optional, 2M or 5M pixel
Operating System	Android 6.0.1, 8.1 & 9.0 Debian9 (kernel4.4)
Expansion	3 x External Module Ports

## LCD

Display Type	21.5" TFT LCD
Max. Resolution	1920*1280
Luminance	500 nits
View Angle	89/89/89/89
Backlight Lifetime	30,000 hours

## Environment

Operating Temp	0~40 °C
Storage Temp	-10~55 °C
Humidity	0~85% @40 °C, non-condensing
EMC	FCC/CE Certificated

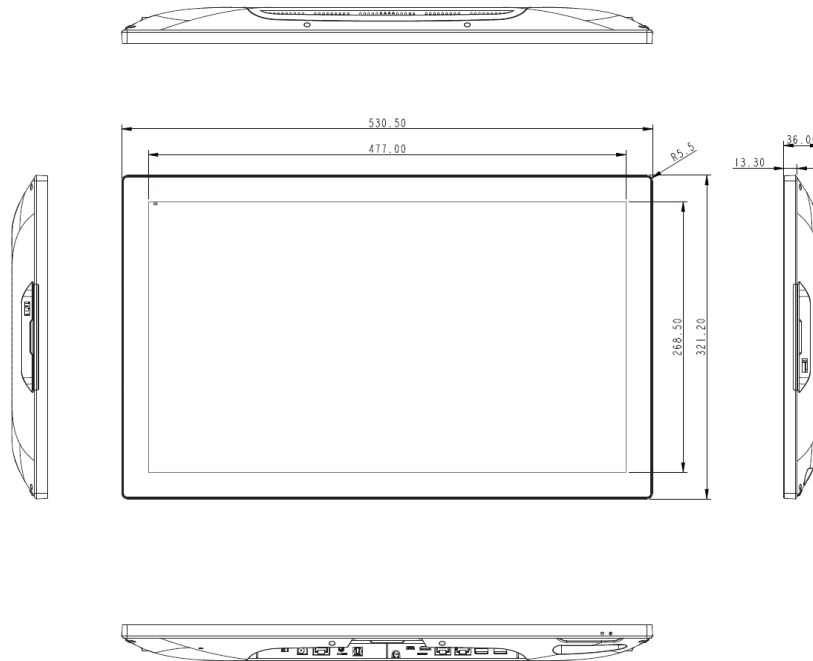
## Power Requirement

Power Input	DC 12V Power Input, Optional POE Module
-------------	---

## Touch Screen

Type	USB P-Cap Touch
------	-----------------

## Dimension & I/O Connector



### Ordering Information

LPC-P215WZ-4DRM	21.5" P-cap Android Panel PC, RK3288, 2GB DDR3 DRAM, 16GB eMMC, Dual 3W Speaker, DC 12V Power Input
-----------------	---

### Optional Parts

Camrea Module	2MP Camera Module 5MP Camera Module
POE Module	25W For 10.1" & 15.6" Product 50W For 21.5" Product
Barcode Scanner	Honeywell 1D/2D Barcode Scanner Marson 1D/2D Barcode Scanner
NFC Module	NFC Card Reader, RFID
MSR Module	Magstripe Card Reader, Magnetic